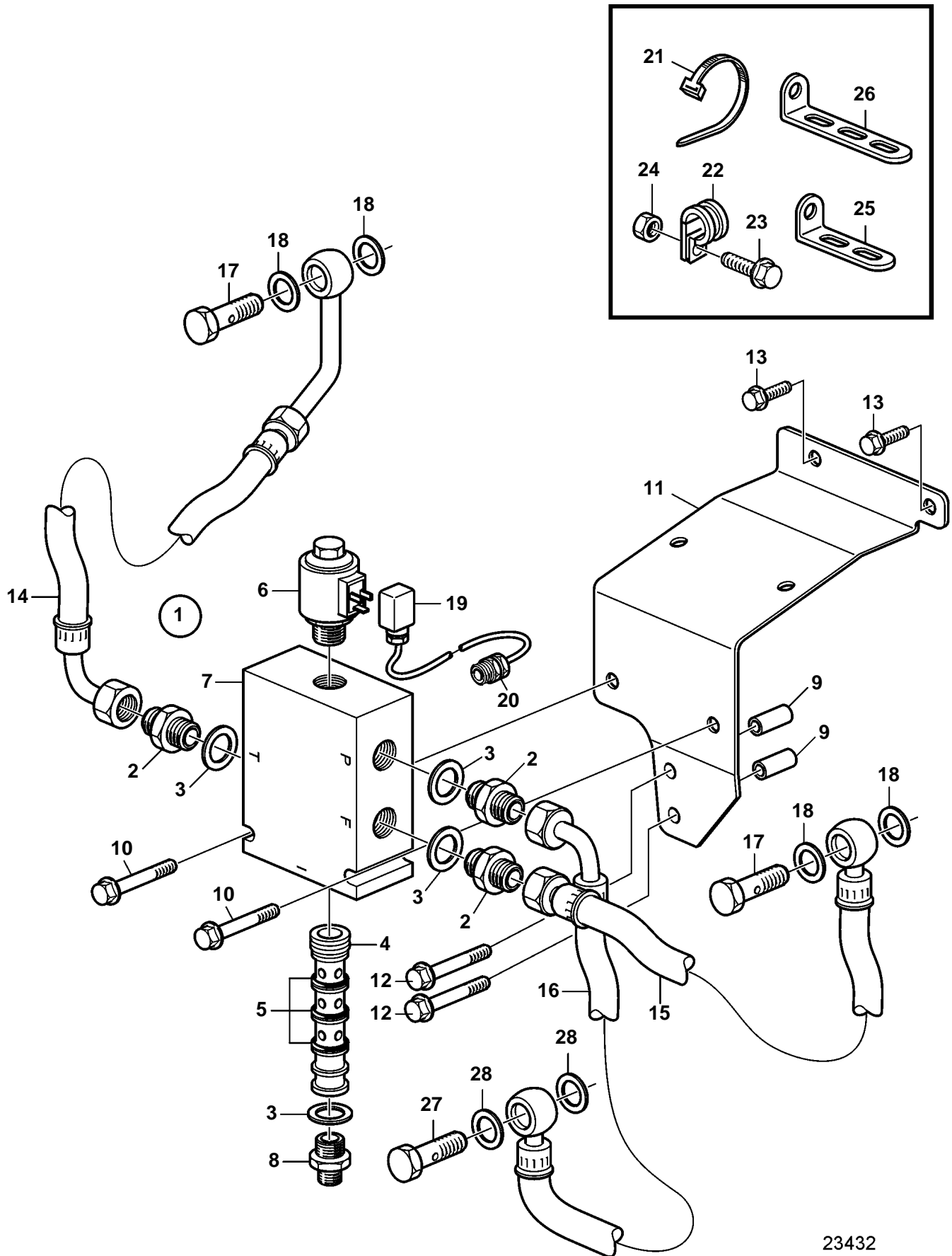


D9A2A D9A-MH, D9A2B MH



23432

D9A2A D9A-MH, D9A2B MH

REF	PART NO.	QTY	DESCRIPTION	NOTES
1	3842766	1	Fuel valve	
2	983388	3	· Nipple	
3	947629	4	· Gasket	
4	3835759	1	· Valve	
5	3835803	1	· Gasket kit	
6	3835762	1	· Magnet	
7		1	· Manifold	
8			· Nipple	3/4"- M16
9	807257	2	Spacer sleeve	
10	965181	2	Flange screw	
11	3818439	1	Bracket	
12	965181	2	Flange screw	
13	946440	2	Flange screw	
14	3883154	1	Fuel hose	
15	3883155	1	Fuel hose	
16	3883153	1	Fuel hose	
17	941686	2	Hollow screw	
18	982724	2	Gasket	
19	874934	1	Cable kit	
20	881190	1	Cable union	
21	948211	2	Cable tie	
22	949747	5	Clamp	
23	946440	5	Flange screw	
24	945408	2	Flange nut	
25	965559	1	Bracket	
26	965563	1	Bracket	
27	25167	1	Hollow screw	
28	982723	2	Gasket	